

TDR – Guided Wave Radar

Continuous level measurement



Overview

VEGAFLEX series 80

Page 52

Page 54

VEGAFLEX

Universal sensors for liquids and bulk solids

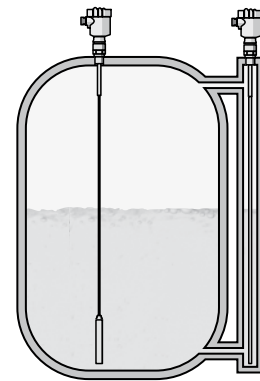
Measuring principle

High frequency microwave pulses are coupled on a cable or rod and guided along the probe. The pulse is reflected by the product surface. The time from emission to reception of the signals is proportional to the distance of the level. The instruments are already preset to the ordered probe length (0 % and 100 %). In many cases, a setup on site is not necessary. In any case you carry out the setup of VEGAFLEX without medium. The shortenable, bare cable and rod versions can be simply adapted to the local conditions, if necessary.

Applications

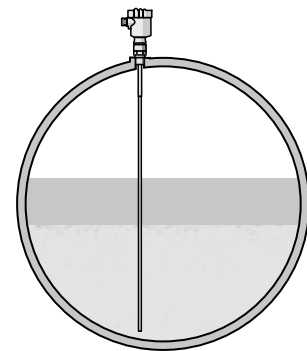
Level in liquids

Density fluctuations, steam generation or strong pressure and temperature fluctuations do not influence the measuring result. Also buildup on the probe or the vessel wall do not influence the measurement. This makes the VEGAFLEX simple in planning and commissioning. An ideal application is level measurement in a bypass tube or standpipe where even products with a dielectric constant of 1.4 can be measured reliably. Weld joints, buildup and corrosion inside the tube do not influence the accuracy of the level measurement. Also in case of overflowing up to the process fitting, your measurement is safe. VEGAFLEX 81 offers also a special solution for ammonia applications.



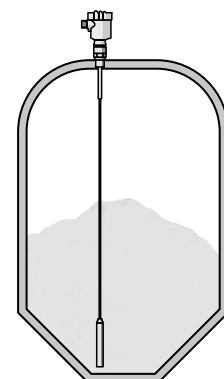
Interface measurement in liquids

Non-conductive products only reflect the energy of the microwave partly. The energy that is not reflected passes the medium and is reflected at the phase interface to a second liquid. This effect is used by the interface measurement. You can simply select this function on VEGAFLEX via the adjustment tools. By doing so, you get reliably the total level as well as the level of the lower menu in your vessel. Typical applications are interface measurements in storage tanks, separators and pump sumps. Generally the VEGAFLEX determines the level of the water layer below a non-conductive medium. The VEGAFLEX is independent of the density of the medium, this means for you a reliable, maintenance-free and precise measurement.







Level in bulk solids

Typical process properties in bulk solids are strong dust and noise generation, buildup or condensation and of course material cones. With the VEGAFLEX you have the ideal measurement for your silo or bunker for such conditions. Also typical product properties such as, e.g. the moisture content, the mixture ratio or the granulation size are not important and make the planning really simple. The intelligent software gives you high measurement certainty and a well monitored probe. Even in products with small dielectric constant (from 1.1), a reliable measurement is ensured thanks to the "thinking" processing.



Overview

Instrument type		Measuring range Accuracy	Process fitting	Process temperature	Process pressure
VEGAFLEX 81 Liquids		Rod probe up to 6 m Coax probe up to 6 m Cable probe up to 75 m +/- 2 mm	Thread from G $\frac{3}{4}$, $\frac{3}{4}$ NPT, flanges from DN 25, 1"	-40 ... +200 °C -60 ... +150 °C for volatile substances, e.g. Ammonia	-1 ... +40 bar (-100 ... +4000 kPa)
VEGAFLEX 82 Bulk solids		Rod probe up to 6 m Cable probe up to 75 m +/- 2 mm	Thread G $\frac{3}{4}$, $\frac{3}{4}$ NPT, flanges from DN 25, 1"	-40 ... +200 °C	-1 ... +40 bar (-100 ... +4000 kPa)
VEGAFLEX 83 Liquids with hygienic requirements and in aggressive media		Rod probe up to 4 m Cable probe up to 32 m +/- 2 mm	Flanges from DN 25, 1", hygienic fittings	-40 ... +150 °C	-1 ... +16 bar (-100 ... +1600 kPa)
VEGAFLEX 86 Liquids and bulk solids under extreme process conditions		Rod probe up to 6 m Coax probe up to 6 m Cable probe up to 75 m +/- 2 mm	Thread G1 $\frac{1}{2}$, 1 $\frac{1}{2}$ NPT, flanges from DN 50, 2"	-196 ... +450 °C	-1 ... +400 bar (-100 ... +40000 kPa)

VEGAFLEX 81



TDR sensor for continuous level and interface measurement of liquids

Application area

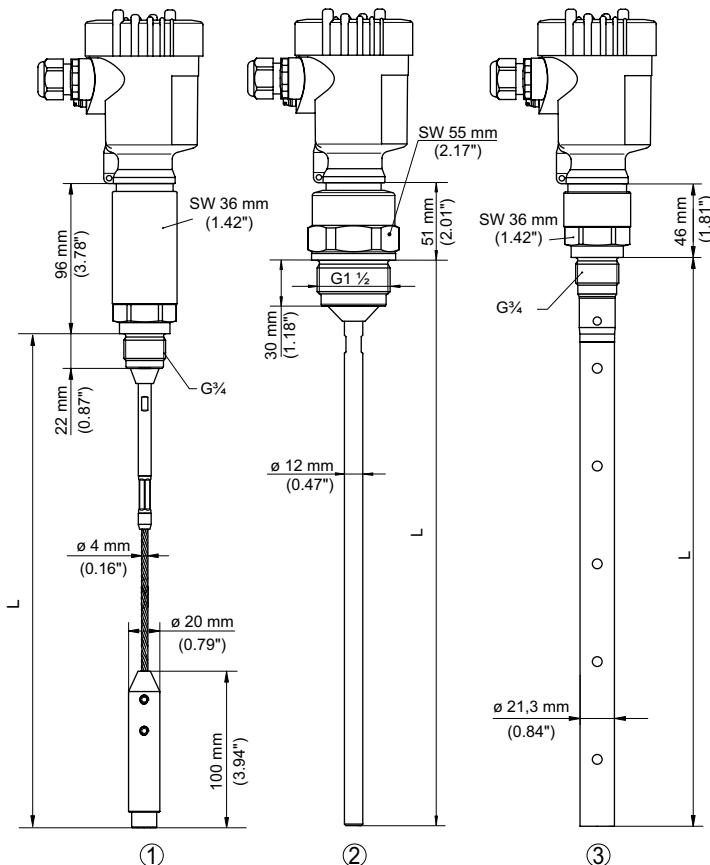
The VEGAFLEX 81 level sensor measures maintenance-free all kind of liquids. Even in applications with vapour, buildup, foam generation and condensation, the sensor delivers precise and reliable measured values. The VEGAFLEX 81 is the economical solution for various level and interface measurements.

Your benefit

- The guided adjustment enables a simple, time-saving and reliable setup
- Comprehensive diagnostic possibilities ensure a maintenance-free operation and hence a high plant availability
- Shortenable probes offer a simple standardisation and highest flexibility in the planning

Technical data

Version:	exchangeable cable (ø 2 mm, ø 4 mm) exchangeable rod (ø 8 mm, ø 12 mm) coax (ø 21.3 mm, ø 42 mm)
Measuring range:	cable probe up to 75 m rod probe up to 6 m coax probe up to 6 m
Process fitting:	thread from G $\frac{3}{4}$, $\frac{3}{4}$ NPT flanges from DN 25, 1"
Process temperature:	-40 ... +200 °C -60 ... +150 °C for volatile substances, e.g. Ammonia
Process pressure:	-1 ... +40 bar (-100 ... +4000 kPa)
Accuracy:	+/- 2 mm



- 1 Cable version für process temperature -20 ... +200 °C
- 2 Rod version
- 3 Coax version

You will find further process fittings and options under www.vega.com/configurator.
You will find further drawings and tables under www.vega.com/downloads.
You will find mounting accessory, welded sockets and housing overviews in chapter "Accessory".

VEGAFLEX 82



TDR sensor for continuous level measurement of bulk solids

Application area

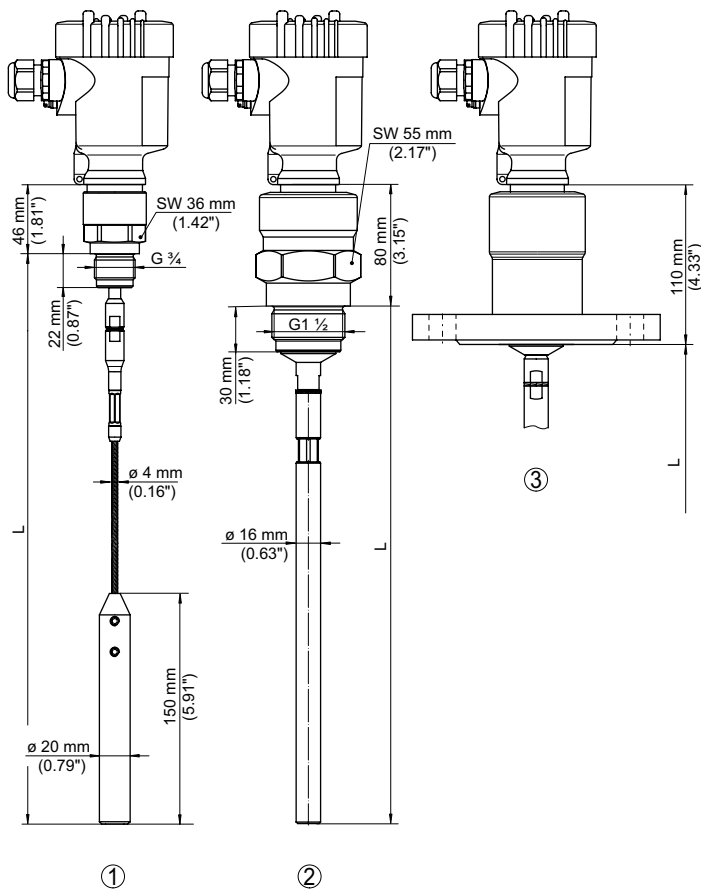
The VEGAFLEX 82 level sensor measures maintenance-free light and heavy-weight bulk solids. Even in applications with strong dust generation, condensation or buildup, the sensor delivers precise and reliable measured values. The VEGAFLEX 82 is an economical and reliable solution for your application.

Your benefit

- The guided adjustment enables a simple, time-saving and reliable setup
- Shortenable probes offer a simple standardisation and highest flexibility in the planning
- Virtually all bulk solids can be measured with the automatic probe end tracking

Technical data

Version:	exchangeable cable (ø 4 mm, ø 6 mm, ø 11 mm) exchangeable rod (ø 16 mm)
Measuring range:	cable probe up to 75 m rod probe up to 6 m
Process fitting:	thread from G $\frac{3}{4}$, $\frac{3}{4}$ NPT flanges from DN 25, 1"
Process temperature:	-40 ... +200 °C
Process pressure:	-1 ... +40 bar (-100 ... +4000 kPa)
Accuracy:	+/- 2 mm



- 1 Cable version
- 2 Rod version
- 3 Flange version

You will find further process fittings and options under www.vega.com/configurator.

You will find further drawings and tables under www.vega.com/downloads.

You will find mounting accessory, welded sockets and housing overviews in chapter "Accessory".

VEGAFLEX 83



TDR sensor for continuous level and interface measurement of liquids

Application area

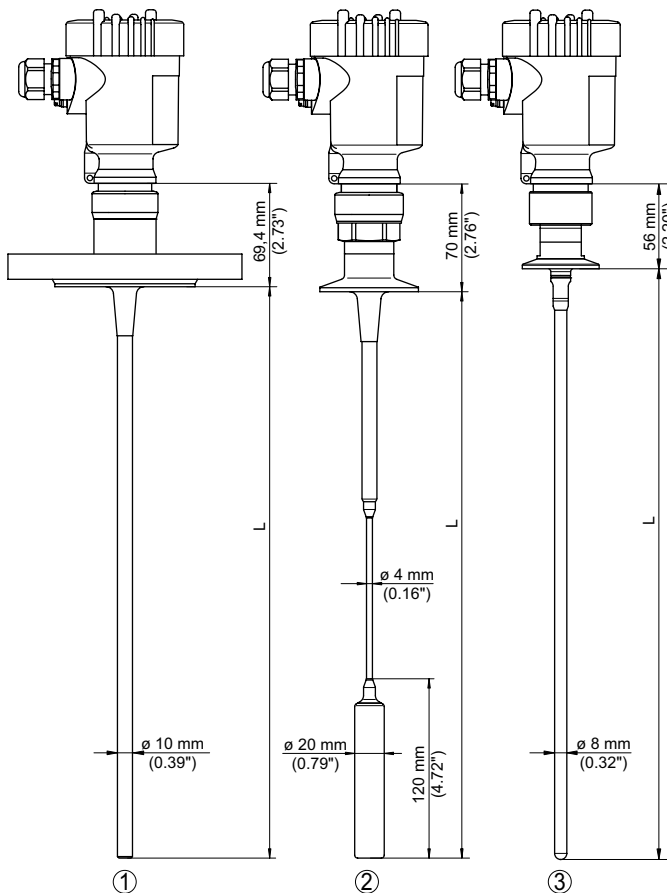
The VEGAFLEX 83 level sensor measures maintenance-free aggressive liquids or liquid media with highest hygienic requirements. Even in applications with vapour, buildup, foam generation and condensation, the sensor delivers precise and reliable measured values. The VEGAFLEX 83 is the economical and ideal solution for your application.

Your benefit

- The guided adjustment enables a simple, time-saving and reliable setup
- The gap-free hygienic design ensures simple and reliable cleanability
- The maintenance-free operation increases the plant efficiency

Technical data

Version:	cable (ø 4 mm) rod (ø 8 mm, ø 10 mm)
Measuring range:	cable probe up to 32 m rod probe up to 4 m
Process fitting:	flanges from DN 25, 1" hygienic fittings
Process temperature:	-40 ... +150 °C
Process pressure:	-1 ... +16 bar (-100 ... +1600 kPa)
Accuracy:	+/- 2 mm



- Version / Material:
Rod (ø 10 mm) / PFA
- Version / Material:
Cable (ø 4 mm) with gravity weight / PFA
- Version / Material:
Exchangable rod (ø 8 mm) / 1.4435
(Basle Standard 2)

You will find further process fittings and options under www.vega.com/configurator.

You will find further drawings and tables under www.vega.com/downloads.

You will find mounting accessory, welded sockets and housing overviews in chapter "Accessory".

VEGAFLEX 86



TDR sensor for continuous level and interface measurement of liquids

Application area

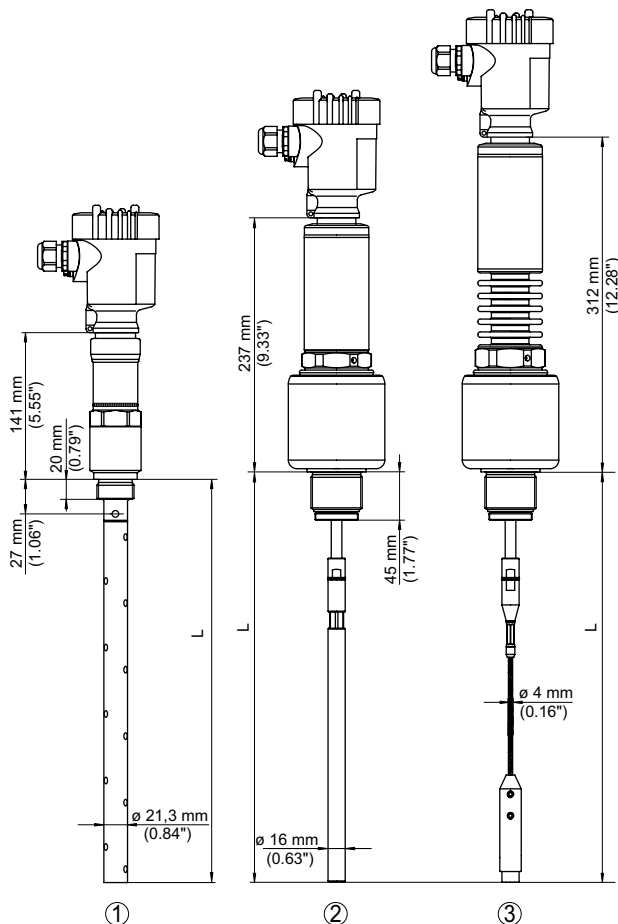
The VEGAFLEX 86 level sensor measures maintenance-free all liquids under extreme pressure and temperature conditions. Even in applications with buildup, foam generation and condensation, the sensor delivers precise and reliable measured values. In saturated steam applications, a special reference probe ensures a density-independent measurement. The VEGAFLEX 86 offers an economical level and interface measurement for your application.

Your benefit

- The guided adjustment enables a simple, time-saving and reliable setup
- Comprehensive diagnostic possibilities ensure a maintenance-free operation and hence a high plant availability
- The maintenance-free operation increases the plant efficiency

Technical data

Version:	exchangeable cable (ø 2 mm, ø 4 mm) exchangeable rod (ø 16 mm, ø 8 mm) coax (ø 42 mm, ø 21.3 mm)
Measuring range:	cable probe up to 75 m rod probe up to 6 m coax probe up to 6 m
Process fitting:	thread from G $\frac{3}{4}$, $\frac{3}{8}$ NPT flanges from DN 25, 1"
Process temperature:	-196 ... +450 °C
Process pressure:	-1 ... +400 bar (-100 ... +40000 kPa)
Accuracy:	+/- 2 mm



- 1 Version: -20 ... +250 °C; coax
- 2 Version: -196 ... +280 °C; rod
- 3 Version: -196 ... +450 °C; cable

You will find further process fittings and options under www.vega.com/configurator.

You will find further drawings and tables under www.vega.com/downloads.

You will find mounting accessory, welded sockets and housing overviews in chapter "Accessory".

